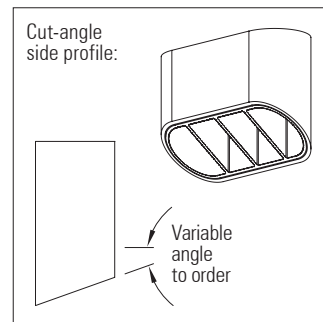
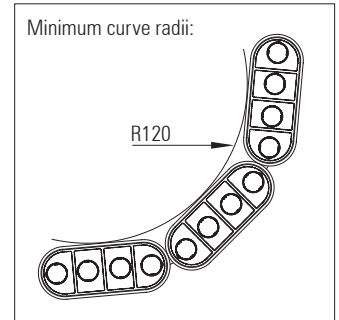
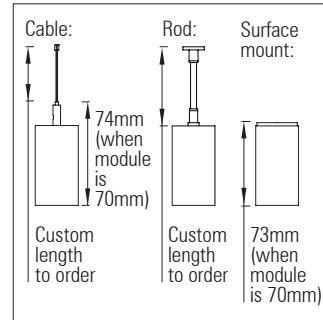
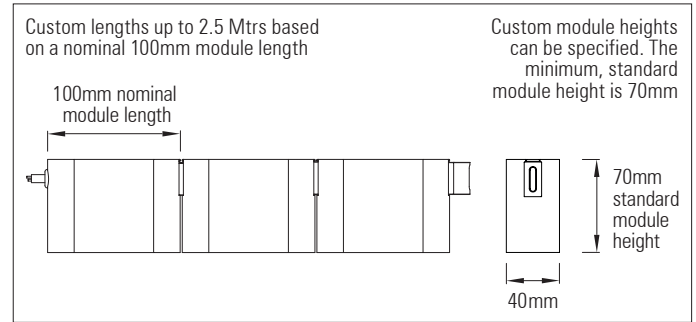
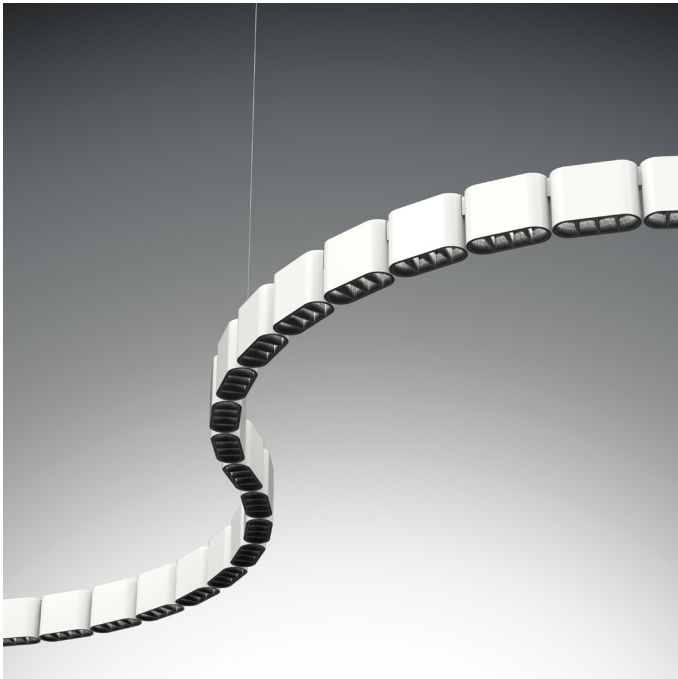


Centura IP20

Fixed s-curve modular LED pendant lighting system IP20

Down light - 2 or 4 x high power LEDs with lenses per module



Up to 5,000 Lumens per Mtr

Down light - 2 or 4 x high power LEDs with lenses per module

Fixed modular LED pendant lighting system IP20 - Down light

Product description:

Modular s curved LED pendants in a range of sizes with down lights and decorative two-colour louvred snoots in custom finishes for use in a wide range of application areas including architectural, hospitality, leisure and retail. With custom curve radii up to a minimum of 120 mm the s-curve is versatile and stylish.

2 or 4 x Cree XP-E, XP-G or XQ-E LEDs or Osram Oslon LEDs with Ledil Tina2 or Heidi lenses per module. See LED / lens matrix for beam angle options

Up to 5 Watts per 100mm module

30 Volt - 48 Volt DC supply depending on application

Integral LV constant current driver

Dimming options available: 1 - 10V, DMX and DALI

Various LED colour temperature and CRI options available

Decorative anti-glare louvred snoots with custom powder coat or anodized finishes to order. The interior louvre finish can be different from the outer body finish

Body - Satin black, satin white or any RAL powder coat or anodized finish

Louvre - Satin black or any RAL powder coat or anodized finish

Standard and custom lengths based on a 100 mm module up to 2.5 mtrs

Rod, cable or surface mount options. Custom solutions are also available

* RGB, RGBW, RGBA and Dynamic-white options do not use a colour mixing lens. See Centura s-curve RGB IP20 data sheets for versions with colour-blending Gaggione lens.

Down light LED / lens matrix	CREE XP-E		CREE XP-G	
	Tina 2	Heidi	Tina 2	Heidi
Diffused spot (D)	12 °	9 °	17 °	12 °
Real spot (RS)	11 °	8 °	15 °	9 °
Medium (M)	31 °	28 °	30 °	28 °
Wide (W)	50 °	32 °	57 °	31 °
Wide (WW)	55 °	44 °	58 °	44 °
Wide (WWW)	57 °	N/A	60 °	N/A
Elliptical (O)	32+14 °	48+10 °	35+16 °	47+14 °

Product Code	No. of LEDs per mtr.	IP	Diameter (mm)	LED Type	Optics (°)	Colour Temp. (K)	CRI	Mounting Type	Cut angle (°)	Finish
RAD CENTURA S-CURVE DOWN IP20	40 LEDs per Mtr: 25mm pitch	20	100mm to 2,500mm	Cree: XP-E, XP-G, XQ-E	Ledil Tina2 or Heidi	27=2,700k 30=3,000k 35=3,500k 40=4,000k 45=4,500k 50=5,000k	Cree: 80, 90	Steel Cable	0° - 75°	Body: Black, white or any anodized or powder coat finish
	20 LEDs per Mtr: 50mm pitch		-available in increments of 100mm	Osram: Oslon	N, M, W, E, Diffused spot (See LED / lens matrix)	* RGB * RGBW * RGBA * Dynamic white	Osram: 95	Fixed rod Surface mount	-available in increments of 5°	Louvre: Any anodized or powder coat finish